



Kaynemaile folding screen at Grain of Silos Restaurant and Cafe, Tasmania, Australia

**Kaynemaile® Folding Screens** can be used to divide spaces temporarily then retracted when not needed. They are ideal for creating smaller, more intimate spaces within big open plan areas. Perfect for restaurants and bars, open plan offices or event spaces where flexibility is required.

We use our own head track system and don't rely on a bottom track. With a great colour range and a super low stack ratio our folding screens are the best-looking screens on the market.

### Features

**Stack ratio:** Approx. 15% of the overall width.

**Weight:** Mesh weighs 0.6lbs (3kg m<sup>2</sup>). Head track and folding system weighs approx. 1lb per linear foot (1.6kgs per linear metre).

**Sizes:** Standard components up to 13ft (4m) high with unlimited width. Screens over 13ft (4m) high may require upgraded componentry.

**Colour palette:** All Kaynemaile standard colours are suitable for interior use. For colour range visit [www.kaynemaile.com/kaynemaile-colour-palette](http://www.kaynemaile.com/kaynemaile-colour-palette)

**Curved Screens:** We can manufacture custom curved screens. Our standard minimum radius is 40in (1000mm). Contact Kaynemaile to discuss your custom requirements.

**Folding leave width:** 16.73in (425mm) typical. Allow running clearance width of a minimum of approx. 25.5in (650mm).

### Hanging system

- **Head track:** 2.16in high x 1.38in wide (55mm x 35mm) anodised aluminium.
- **Folding mechanism:** Stainless steel folding armatures.
- **Wheels:** Nylon wheels. Stainless steel componentry.
- **Operation:** Wand style pull handle. Satin stainless steel finish.

### Supplied hardware

Folding screens are supplied with our RE/8™ bio-circular architectural mesh, head track and folding armature system. Screw fixings are also supplied to fix into your ceiling or support structure. Track screw fixings are required every 15.75in (400mm) approx.

### Configuration

We can incorporate single or split leaves on one head track run. Either end can be specified as fixed to a wall or post or both can be open and operable.

## Operation

Our screens are easily opened and closed using our satin stainless-steel operating wands.

## Site requirements

Ceiling head track - our track needs to be fixed into a rigid and level sub-structure strong enough to support the weight and operation of the screen. Suspended or lightweight ceilings are not suitable as substrates and will require additional blocking or sub-structure.

Vertical ends - fixed ends require a suitable substrate to attach the vertical track to. Plaster board or light weight wall linings are not suitable.

## How to order your screens

To order a folding screen we need to know:

- The overall height from the top fixing point (i.e. the underside of beam of finished ceiling) to the finished floor point
- The width of the opening from edge to edge
- The configuration of leaves and vertical fixed ends
- Colour

## FAQ's

**Can I lock the screen?** Our folding screens are a non-lockable system. See our lockable screen range for a security option.

**What is the minimum/maximum width?** The minimum width is 47.2in (1200mm). We have no maximum width however there are some practical limitations over 65ft (20m) wide. Contact Kaynemaile to discuss.

**What is the minimum/maximum height?** The minimum height is 78.7in (2000mm). The maximum height is 157.5in (4000mm) with our standard system.

**Do I need a steel beam to fix to?** The system needs to be fixed to a rigid solid beam - either steel or timber will work.

**Do I need a bottom track as well?** Our system does not have a bottom track.

**Can you make a custom bend or radius?** Yes. Our minimum radius is 40in (1000mm). Contact Kaynemaile to discuss custom bends.

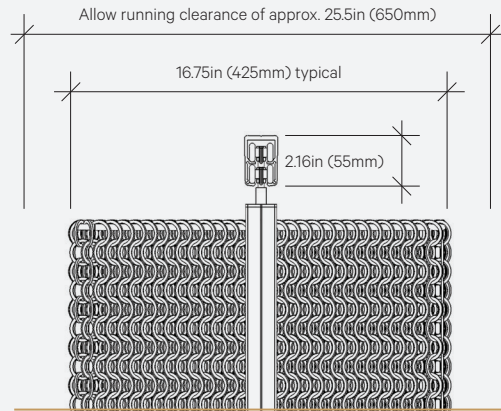
**Does it need a cupboard to store in?** No, the system can stack against a wall or along the operational width. However, if you want to store the screen in a cupboard you can provided you allow for the track and incorporate an opening into the cupboard door.

## Technical Specifications

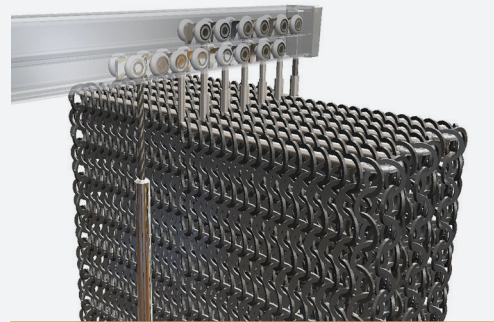
Material	RE/8™ bio-circular architectural mesh, fire and UV resistant
Visual open area	Approximately 25%
Physical open area	Approximately 80%
Weight	0.6 lb/ft <sup>2</sup> (3kg m <sup>2</sup> )
Maximum sheet size	Unlimited height and width
Screen thickness	0.6in (15mm)
Colour customisation	Available (additional costs may apply to small orders)
Diameter of ring	0.86in internal (22mm), 1.10in external (28mm)

## Folding Screen Fixing Details

Not to scale. All details are indicative and for your information only.



Top Track and Screen Section



Screen Open View



Screen Closed View