

Kaynemaile Interior Hanging Screen Installation Guide - with additional bottom fixings.

These instructions are designed to guide you through the installation of the Kaynemaile Hanging Screen System. We recommend you take time to read all the information thoroughly before beginning the installation or unpacking any of the components. Failure to follow the instructions may result in a system fault or component damage and void the material warranty.

Preparation

The Kaynemaile screen is a 'final fix' item and should not be installed until all other adjacent trade work is completed. Before beginning the installation ensure that proper preparation has been carried out.

Please make sure:

- The work area should be clear of dirt and debris.
- The substrate must be level and true across the whole width of the screen location or the screen will not hang correctly.
- Ensure the substrate is suitable for the weight of the screen.
- When drilling or cutting ensure all debris are removed from the screen and the screen components.
- Ensure the screen is installed correctly before leaving installation site.
- Ensure all packing material is disposed of correctly.

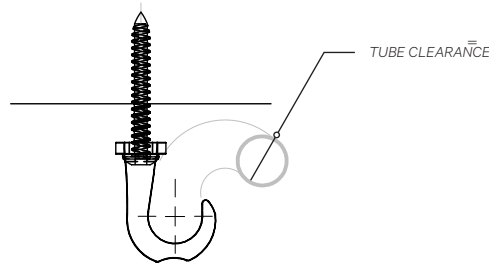
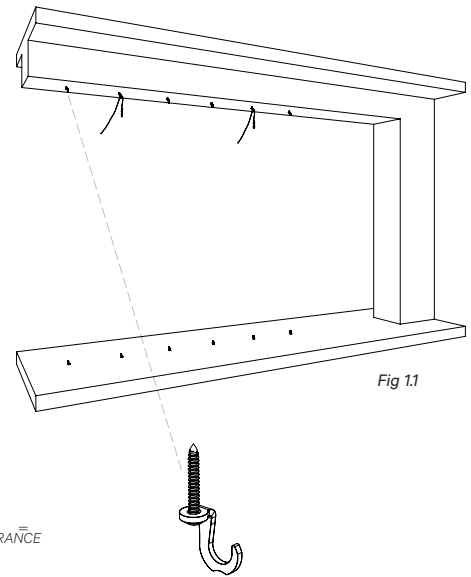
Installation Checklist & Feedback

Complete the installation checklist at the back of this document and forward to info@kaynemaile.com to register your product warranty.

We welcome your questions and feedback.

1. Set Out and Install the Hooks

1. Before setting out the hooks ensure there is adequate structure at the fixing locations to support the screen.
2. Set out the the top and bottom hook positions and ensure they are aligned. The outer hooks should be 50-80mm in from the ends of each tube. Space the remaining hooks across the screen width evenly at a maximum of 600mm
3. Screw the top hooks part way in to allow for final adjustment of the screen once in place.
4. Screw the bottom hooks part way in to allow for final adjustment of the screen once in place.



2. Prepare the Screen

1. Lay the screen out on the floor with the labels on the top side. Position the screen so you can identify all corners.

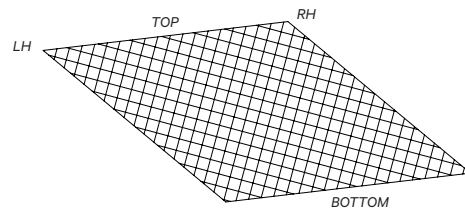


Fig 2.1

3. Prepare Tubes

1. The hanging top and bottom tubes may be supplied as one piece or multiple pieces depending on the screen size. To join multiple pieces you must remove the cap screws at the join location. This allows the tube joiner inserts to slide inside the tubes.
2. Once the tube sections have been joined together reinsert the cap screws and tighten.

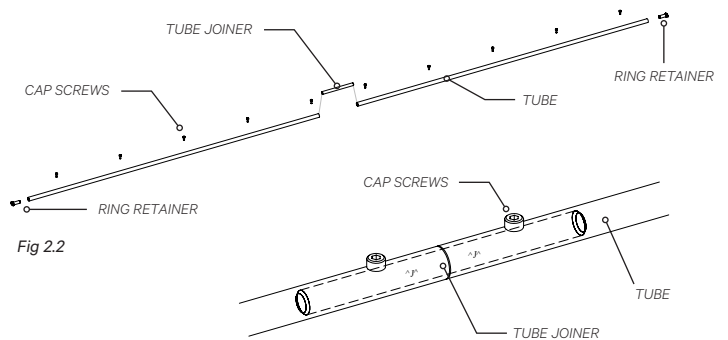


Fig 2.3

Prepare Tube (section 3 continued)

3. The ring retainer must be removed from the tube end before the tube can be inserted through the mesh.

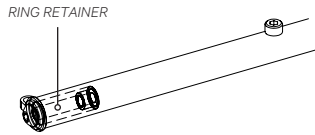


Fig 2.4

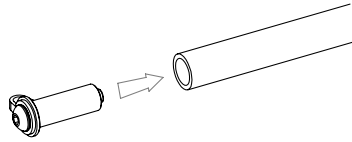


Fig 2.5

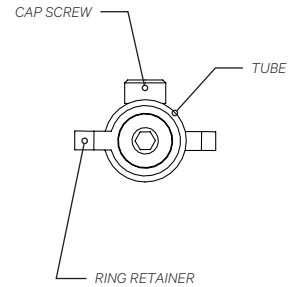


Fig 2.6

4. Install Tube into Mesh

1. Insert tube into top row of rings. As the tube is inserted ensure the ring spacing and ring alignment is consistent across the hanging tube.
2. To prevent the tube from snagging rotate the tube so that the cap head screws are on the underside.

Note ring count per cap screw (Fig 3.2). Take care to ensure that the hooks do not change the ring spacing count.

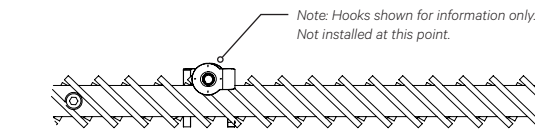
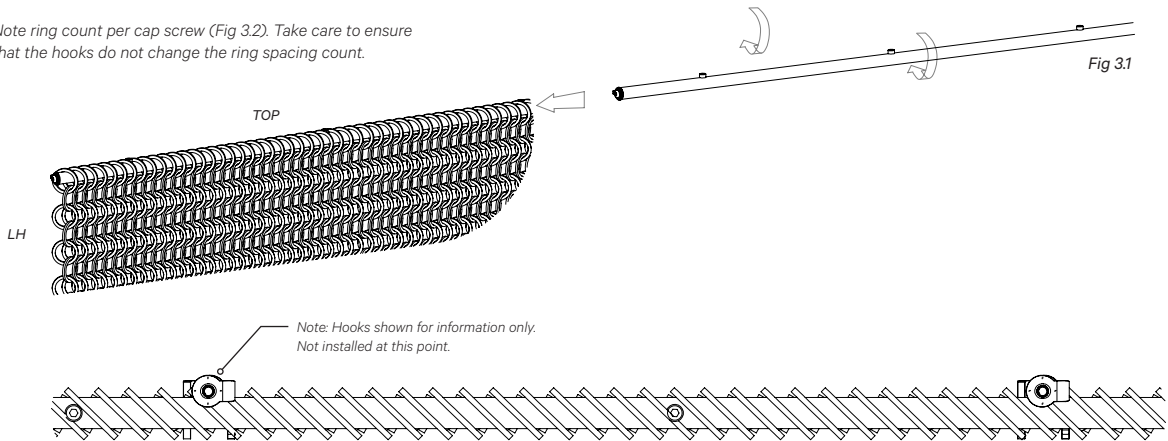


Fig 3.2

5. Mesh Ring Spacing

1. Once the tube has been correctly installed through the mesh reattach the end ring retainers and clip to the last mesh ring.
2. Refer to Fig. 3.2 and 3.3 and ensure the rings are evenly spaced across the hanging tube.

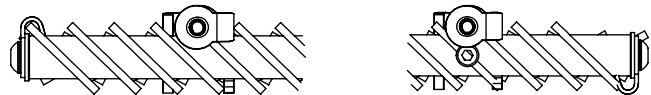


Fig 3.3

6. Installing the Screen

1. Lift the screen up to the top hooks. For large screens use lifting cord over the top hooks to lift the screen into position (see detail Fig 4.2).
2. Lift the screen up evenly ensuring the tube does not bend.
3. Once the screen is close to the top lift the screen onto the loose hooks and adjust ring spacing as required.
4. Once the screen is over the hooks and the rings are spaced evenly across the hanging tube then tighten the hooks. Ensure the hooks do not crush the rings.
5. Check that the screen is hanging level and the ring spacing is even. Remove all temporary tags from the screen.

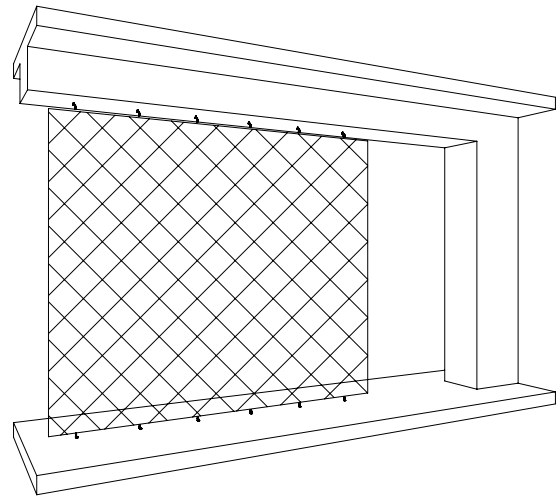


Fig 4.1

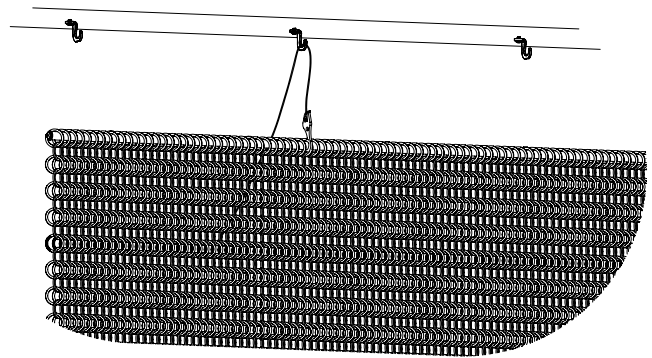


Fig 4.2

7. Prepare Bottom Tube

1. Repeat steps from Step 3 to prepare the bottom tube.

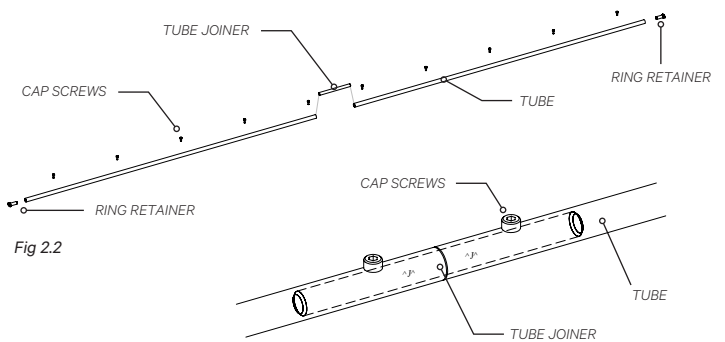


Fig 2.2

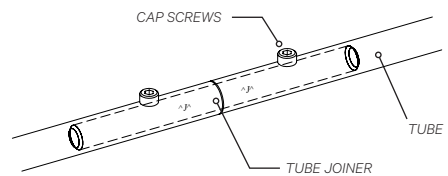
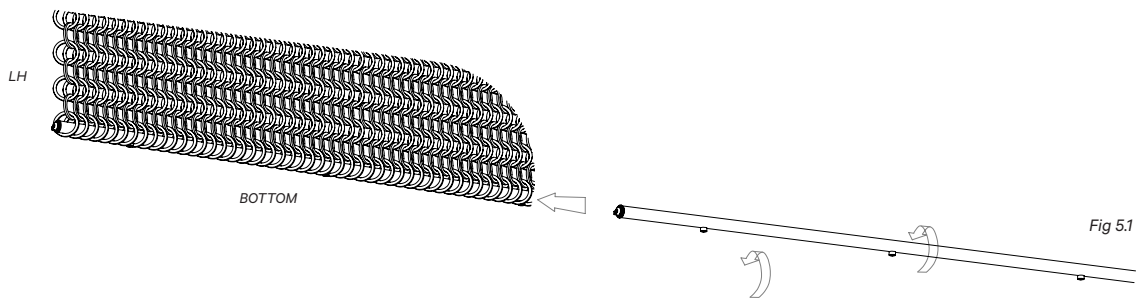


Fig 2.3

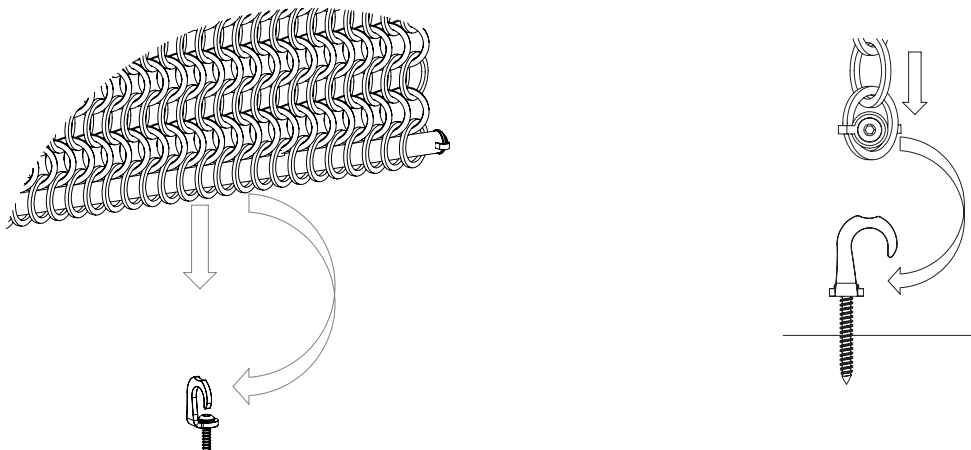
8. Install tube into mesh

1. With the screen hanging in position insert the bottom tube through the last row of rings. Note that the bottom tube does not have any cap head screws.



9. Tension the Screen

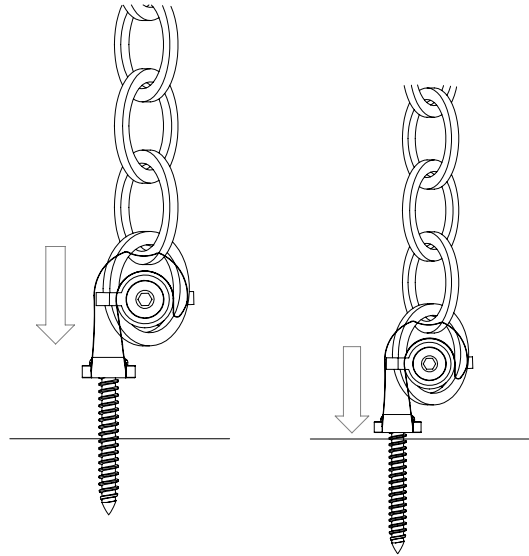
1. With the bottom tube inserted in the mesh pull the mesh down onto the partially installed bottom hooks.



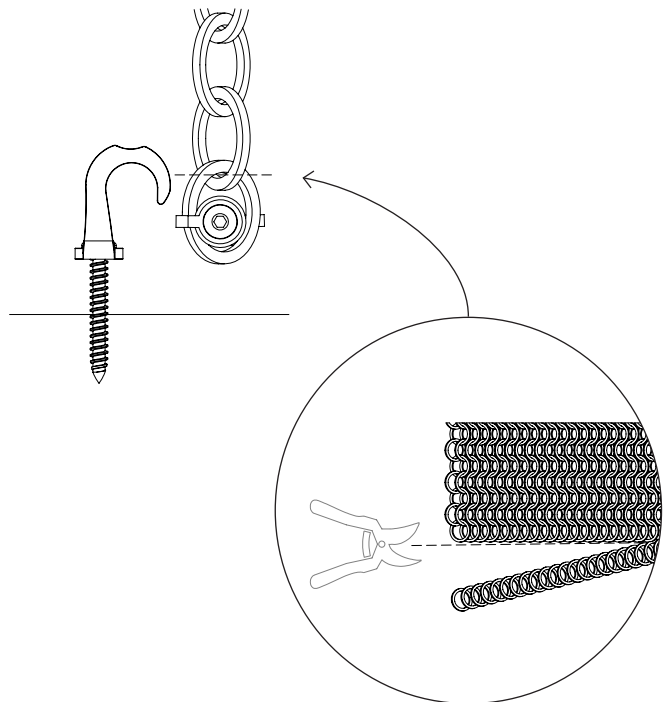


Tension the Screen (section 9 continued)

2. Tighten the hooks up evenly across the bottom tube to remove the slack from the screen.



3. Should the screen require more tension then loosen the bottom hooks and remove the bottom tube then cut a row off from the bottom of the screen and repeat step 9.2.



Kaynemaile®

RE/8

KAYNEMAILE.COM

CONTACT US:

USA Toll Free 1855 387 5440

AU Toll Free 1800 231 153

NZ +64 4 473 4989

info@kaynemaile.com

STAY UP TO DATE:

/KaynemaileMesh

@kaynemaile

kaynemaile-limited

@kaynemaile

/kaynemaile